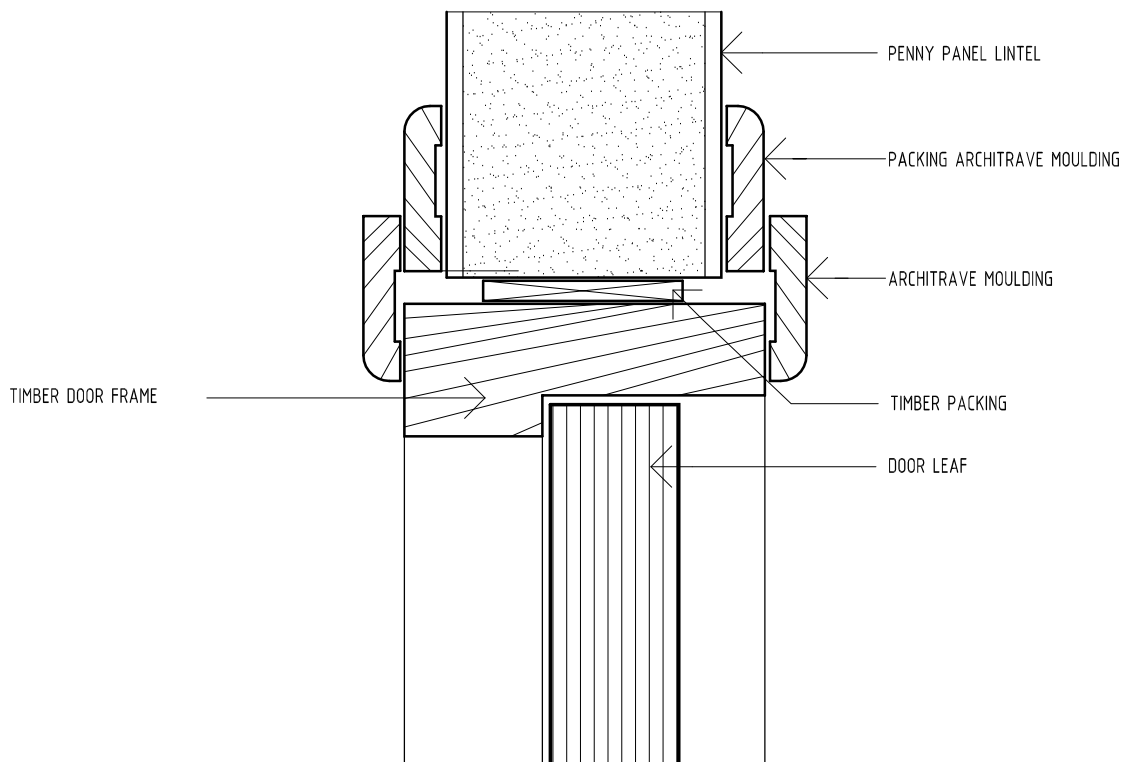


SCHEMATIC VERTICAL SECTION THRU TIMBER DOOR FRAME



SCHEMATIC VERTICAL SECTION THRU WIDER TIMBER DOOR FRAME

PENNY PANELS CAN BE TREATED LIKE ANY OTHER WALL BEING TIMBER OR MASONRY FOR THE INSTALLATION OF TIMBER OR METAL DOOR FRAMES
 A SAMPLE IS SHOWN ABOVE FOR A FRAME WIDER APPEARANCE